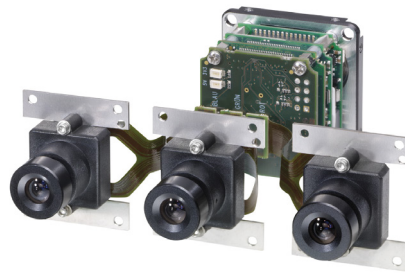


mvBlueCOUGAR-3X

Technical Details



Sensors

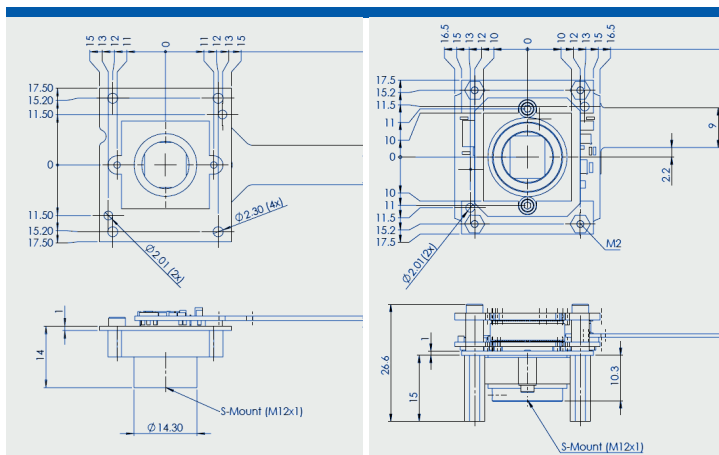
mvBlueCOUGAR-3X	Resolution (H x V pixels)	Sensor size (optical)	Pixel size (µm)	Frame rate	Sensor technology	Readout type	ADC resolution / output in bits	Sensor
-120a	G	640 x 480	1/3"	105 / 105 ¹	CCD	Global	14 → 14/12/8	Sony ICX424
-123	G/C	1360 x 1024	1/2"	30 / 28 ¹	CCD	Global	14 → 14/12/8	Sony ICX267

¹ Burst / Streaming

Hardware Features

Protocol	Compliant to GigE Vision	
Interface	Gigabit Ethernet (1000 Mbit/s with 100 Mbit/s compatibility)	
Image formats	RGB8Packed, BGR8Packed, BGR10V2Packed, RGB8, BGR8, RGB10p32 (10 bit packed in 32 bit pixel) Each color channel represents one sensor	
Triggers	External, software based or free run	
Size (W x H x L)	39.8 x 39.8 x 50.5	
Permissible ambient temperature	Operation:	0 .. 40 °C / 30 to 80 % RH
	Storage:	-20 .. 60 °C / 20 to 90 % RH
Lens mounts	S-mount, as an option: C-mount or CS-mount	
Length of starrflex connection	200 mm	
Number of sensor heads	1x	e.g. for angle camera solutions
	2x	e.g. for 3D camera solutions
	3x	e.g. for multi-view solutions
Digital I/Os	2 opto-isolated inputs / 4 high-side outputs	
Conformity	CE, FCC, RoHS, IP67	
Power supply	12..24 VDC (min. 11 VDC / max. 26 VDC)	
Power consumption	approx. 3 .. 6 W according to the used sensor	
Driver	mvIMPACT Acquire SDK or any GigE Vision compliant interface	
Operating systems	Windows®, Linux® - 32 bit and 64 bit	
Special features	Frame average, enhanced color and I/O functionality, PoE, automatic gain / exposure control, binning, pre-trigger recording, internal temperature sensors, FFC, screw lock connectors	
Models	Standard connectors Industrial grate connectors (screwable) with Power over Ethernet (PoE)	

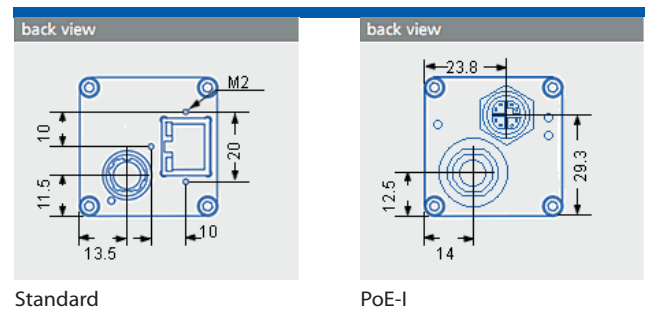
Sensor heads



-120a

-123

Interface plates (in mm)



Standard

PoE-I



A brand of Balluff

MATRIX VISION GmbH
Talstrasse 16

71570 Oppenweiler

Phone: +49-71 91-94 32-0

Fax: +49-71 91-94 32-288

info@matrix-vision.de

Recognize Analyze Decide

www.matrix-vision.de

Subject to change without notice, Date 12/2019